



**SEAL LOCK**

**אומי אטימה**

Sealing nuts for high-strength screw joints

**מא מטל-עד** בע"מ  
יבוא והפצה של ברגים, אומים ומגוון קשיחים לתעשיות.

# SEAL LOCK SEALING NUT

## Locking and sealing: the example of an adjusting screw

### Conventional solutions

#### Option 1

Adjusting screw with locknut



#### DISADVANTAGES

- ⊖ Complex special bolt with sealing shank
- ⊖ O-rings required
- ⊖ Complex processing of the housing
- ⊖ Much axial space required for O-rings
- ⊖ Pilot hole for adjusting shank

#### Option 2

Adjusting screw in combination with two nuts



#### DISADVANTAGES

- ⊖ Many parts
- ⊖ Long installation time
- ⊖ Loss of preload force when the sealing discs are installed
- ⊖ Much space required

### We recommend: SEAL LOCK sealing nuts



SEAL LOCK sealing nuts prior to clamping.



Tightened SEAL LOCK sealing nuts. Metal head bearing face for high preload force. **Thread and nut bearing face sealed.**

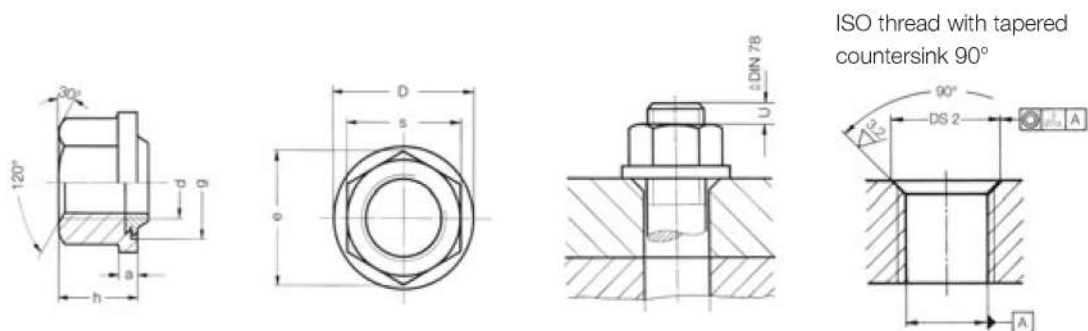


#### ADVANTAGES

- + Captive seal
- + Temperature-resistant from -40°C to +110°C
- + High preload force
- + Sealing below the head and inside the thread
- + One-piece fastener (nut with seal)
- + Use of a standard bolt
- + Uncomplicated fabrication of the housing
- + Little space required
- + Efficient installation
- + Reusable

# SEAL LOCK SEALING NUT

## SEAL LOCK Standard – Large design



d	Surface	D	s	e	a	h	DS 2/90°		Tol.	Recomm. tightening torque cl. 8 MA [Nm]
							t min.	Ø		
M 6	phosphated	12	10	11,05	1,5	7	1,5	7,2	0,2	9,0 - 10,1
M 6	galvanised (CrVI-free)	12	10	11,05	1,5	7	1,5	7,2	0,2	9,0 - 10,1
M 6 x 0,5	phosphated	12	10	11,05	1,5	7	1,5	7,2	0,2	10,0 - 11,0
M 8	phosphated	17	13	14,38	2	8,5	2,5	10,2	0,3	21,6 - 24,6
M 8	galvanised (CrVI-free)	17	13	14,38	2	8,5	2,5	10,2	0,3	21,6 - 24,6
M 8	zinc-nickel	17	13	14,38	2	8,5	2,5	10,2	0,3	21,6 - 24,6
M 8 x 1	phosphated	17	13	14,38	2	8,5	2,5	10,2	0,3	22,8 - 26,1
M 8 x 1	galvanised (CrVI-free)	17	13	14,38	2	8,5	2,5	10,2	0,3	22,8 - 26,1
M 8 x 1	zinc-nickel	17	13	14,38	2	8,5	2,5	10,2	0,3	21,6 - 24,6
M 10	phosphated	21	17	18,9	3	11	3	12,4	0,3	43 - 48
M 16	phosphated	30	24	26,75	4	18	3	19	0,4	180 - 206
M 16	galvanised (CrVI-free)	30	24	26,75	4	18	3	19	0,4	180 - 206
M 16 x 1,5	phosphated	30	24	26,75	4	18	3	19	0,4	189 - 218
M 16 x 1,5	galvanised (CrVI-free)	30	24	26,75	4	18	3	19	0,4	189 - 218
M 20 x 1,5	phosphated	37	30	32,95	5	21	4	23,4	0,4	250 - 255

**מטל-עד בע"מ**

יבוא והפצה של ברגים, אומים ומגוון קשיחים לתעשיות.

טלפון: 03-6394952

פקס: 03-6394953

דואר אלקטרוני: sales@metal-ad.co.il